

# A-Sign Boards

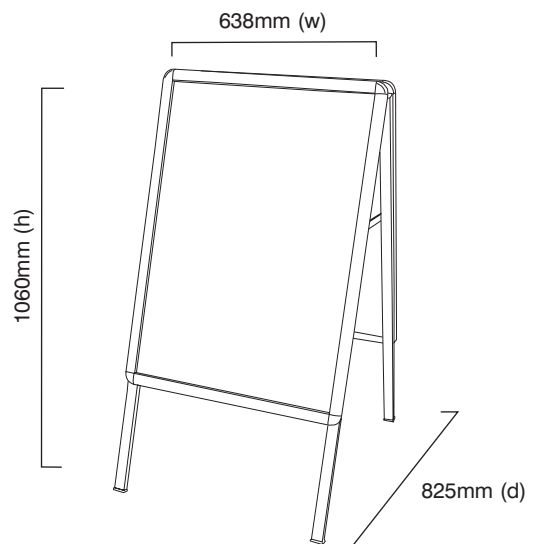
The A-Sign Board has been specially developed for ease of use using our popular spring loaded Trappa Frame graphic holder.



VF204 A1 External Sign  
(galvanised steel backing)

## features & benefits

- Easy front loading, snap frame
- Available in A1 and A2 portrait format
- Complete with UPVC protective graphics cover
- Galvanised steel backing for extra strength and stability



hardware specifications	graphic specifications	additional info
<p>A1 Assembled dimensions (mm) 1060 (h) x 638 (w) x 825 (d) A2 Assembled dimensions 925 (h) x 465 (w) x 675 (d)</p> <p>A1 Closed dimensions (mm) 1120 (h) x 638 (w) x 75 (d) A2 Closed dimensions 965 (h) x 465 (w) x 85 (d)</p> <p>Weight: 11kg -A1 7.5KG - A2</p>	<p>Please refer to graphic template</p>	<p>Availability: Aluminium frame with Anodised silver finish</p>

We are continually improving and modifying our product range and reserve the right to vary the specifications without prior notice. All dimensions and weights quoted are approximate and we accept no responsibility for variance. E&OE.

# Assembly Instructions



Open out the A-sign frame to form a stable shape



Push down on the central locking bars



Open out the spring loaded frame sides



Remove the clear protective sheet



Place the graphic into the frame



Re-fit the protective sheet and close the frame sides to secure (step 3 but reversed)